



OPERATOR MANUAL

NVBS-15™

Night Vision Binocular System



Nivisys Industries LLC
400 S. Clark Drive
Suite 105
Tempe, AZ 85281 USA

480-970-3222 (tel)
480-970-3555 (fax)
info@nivisys.com
www.nivisys.com

Export of the commodities described herein is strictly prohibited without a valid export license issued by the U.S. Department of State Office of Defense Trade Controls prescribed in the International Traffic in Arms Regulations (ITAR) Title 22, Code of Federal Regulation, Chapter 1, Subchapter M, Parts 120-130.

Inside cover intentionally left blank.

**OPERATOR
MANUAL
for**

NVBS-15™
Night Vision Binocular System

ALL RIGHTS RESERVED

This document contains information developed by Nivisys Industries, LLC. It has been prepared to instruct Nivisys customers in the proper care and operation of the equipment respective to this document.

Neither receipt nor possession thereof confers any right to reproduce or use, or disclose, in whole or in part, any such information without written authorization from Nivisys Industries, LLC.

Copyright © May 09, 2011.

This page intentionally left blank.

ADVISORY OVERVIEW

The following description categorizes the level of risk associated with each cautionary statement displayed throughout the manual.

WARNING

HIGHLIGHTS AN OPERATION OR PROCEDURE WHICH, IF NOT STRICTLY OBSERVED, COULD RESULT IN INJURY TO OR DEATH OF PERSONNEL.

CAUTION

HIGHLIGHTS AN OPERATION OR PROCEDURE WHICH, IF NOT STRICTLY OBSERVED, COULD RESULT IN DAMAGE TO OR DESTRUCTION OF EQUIPMENT OR LOSS OF MISSION EFFECTIVENESS.

NOTE

HIGHLIGHTS AN ESSENTIAL OPERATION, PROCEDURE, CONDITION OR STATEMENT.

This page intentionally left blank.

TABLE OF CONTENTS

Advisory Overview	iii
Table of Contents	v
List of Figures	vii
List of Tables	ix
CHAPTER 1: GENERAL INFORMATION	1-1
1.1 Introduction	1-1
1.2 Equipment Description	1-1
1.3 Standard Kit Parts List	1-2
1.4 Standard Kit Parts Illustration	1-3
1.5 Optional Items List	1-4
1.6 Optional Items Illustration	1-5
1.7 System Performance and Data	1-6
CHAPTER 2: PREPARATION FOR USE	2-1
2.1 Introduction	2-1
2.2 Battery Precautions	2-1
2.3 CR123 Battery Installation	2-2
2.4 AA Battery Installation	2-3
2.5 Eyecup Installation	2-3
2.6 Demist Shield Installation	2-4
2.7 Sacrificial Window Installation	2-5
2.8 Objective Lens Cap Installation	2-6
2.9 IR/Spot Flood Lens Installation	2-7
2.10 Attaching to a Helmet or Head Mount	2-7

TABLE OF CONTENTS (CONT.)

CHAPTER 3: OPERATING INSTRUCTIONS	3-1
3.1 Introduction	3-1
3.2 Operating Precautions	3-1
3.3 Controls and Indicators	3-1
3.4 Powering ON the NVBS-15	3-3
3.5 Activating the Infrared (IR) Illuminator	3-4
3.6 Operating the IR Spot/Flood Lens	3-1
3.7 Low Battery Indicator	3-2
3.8 Diopter Adjustment	3-2
3.9 Objective Focus Ring	3-3
3.10 Helmet or Head Mounted Operation	3-4
CHAPTER 4: MAINTENANCE INSTRUCTIONS	4-1
4.1 Introduction	4-1
4.2 Preparing for Maintenance	4-1
4.3 Cleaning the NVBS-15	4-1
4.5 Cleaning the Optics	4-2
4.6 Checking for Damage and Corrosion	4-2
CHAPTER 5: TROUBLESHOOTING	5-1
5.1 Troubleshooting Procedures	5-1
APPENDIX A: SPARE AND REPAIR PARTS LIST	A-1
A.1 Introduction	A-1
A.2 Contact Information	A-1
A.3 Spare Parts List	A-1
APPENDIX B: WARRANTY INFORMATION	B-1

LIST OF FIGURES

FIGURE	DESCRIPTION	PAGE
1-1	Standard Kit Parts Illustration	1-3
1-2	Optional Parts Illustration	1-5
2-1	CR123 Battery Installation	2-2
2-2	AA Battery Installation	2-3
2-3	Eyecup Installation	2-4
2-4	Demist Shield Installation	2-4
2-5	Sacrificial Window Installation	2-5
2-6	Lens Cap Installation	2-6
2-7	IR Spot/Flood Lens Installation	2-7
2-8	Optional Head or Helmet Mounts	2-8
3-1	Controls and Indicators	3-2
3-2	Power ON	3-4
3-3	IR Illuminator	3-1
3-4	IR Spot/Flood Lens in Out Position	3-2
3-5	Diopter Adjustment Ring	3-3
3-6	Range Focus Ring	3-4

This page intentionally left blank.

LIST OF TABLES

TABLE	DESCRIPTION	PAGE
1-1	Standard Kit Parts List	1-2
1-2	Optional Items List	1-4
1-3	System Performance and Data	1-6
3-1	Controls and Indicators	3-3
5-1	Troubleshooting	5-1
A-1	Spare and Repair Parts List	A-1

This page intentionally left blank.

CHAPTER 1:

GENERAL INFORMATION

1.1 Introduction:

This manual provides operation and preventative maintenance instructions for the NVBS-15. It also provides specifications and data on the performance of the binocular. To ensure the safety of the operator and the correct operation of the binocular it is recommended that this manual is read carefully in its entirety before any deployment or field application.

1.2 Equipment Description:

The NVBS-15 is a lightweight, ruggedized dual-tube night vision goggle system and designed for submersion to a depth of 20 meters. It features self-contained single battery power and can be hand held, head mounted or helmet mounted for hands-free tactical operations.

The NVBS-15 takes advantage of the dual-tube design to provide increased depth perception to the user for land, sea, or airborne operations. Battery usage is one AA 1.5 volt battery or one CR123 3V lithium battery. The system projects IR flood illumination that can be adjusted to a spot through the use of the IR Spot/Flood lens adjuster. Two micro LED indicator lights in the eyepieces give the user low battery and IR on indications for increased system awareness.

1.3 Standard Kit Parts List:

The standard NVBS-15 kit comes with the items listed in the following table.

Item	Part No.	Description	Qty.
1	NVBS-31250 NVBS-31400 NVBS-31600 NVBS-31601	Night Vision Binocular System	1
2	A3187392	Soft Carrying Case	1
3	A3144267	Shoulder Strap	1
4	580-0002-0	Battery, CR123 Lithium	1
5	580-0001-0	Battery, AA Alkaline	1
6	NVM-038	AA Battery Adapter	
7	NVM-033	Demist Shield	2
8	170-10	Lens Tissue	1
9	A3187441	IR Spot/Flood Lens	1
10	nvm-032	Sacrificial Lens	2
11	1500-501	Operator Manual, NVBS-15	1
12	1500-502	Quick Reference Guide, NVBS-15	1

Table 1-1 Standard Kit Parts List

1.4 Standard Kit Parts Illustration:

The illustration below is provided for quick identification of the standard parts of the NVBS-15 kit.

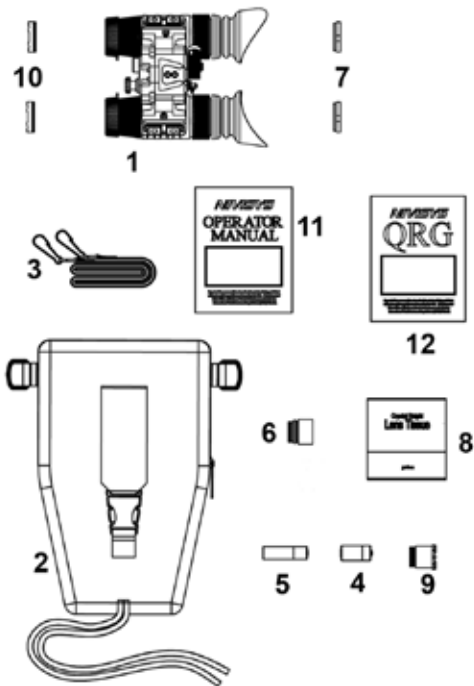


Figure 1-1 Standard Kit Parts Illustration

1.5 Optional Items List:

The NVBS-15 is compatible with the following optional items and accessories listed in the following table.

Item	Part No.	Description
1	A3144268	Head Mount
2	7B257-2F	Shipping/Storage Case
3	NVM-042	Helmet Mount
4	EBP-000	EBP (External Battery Pack)
5	A3187430	Compass
6	A3256391	3X Afocal Lens
7	NVS-NVG-4X	4X Afocal Lens

Table 1-2 Optional Items List

1.6 Optional Items Illustration:

The illustration is provided as a visual key to optional items that can be used with the standard NVBS-15.

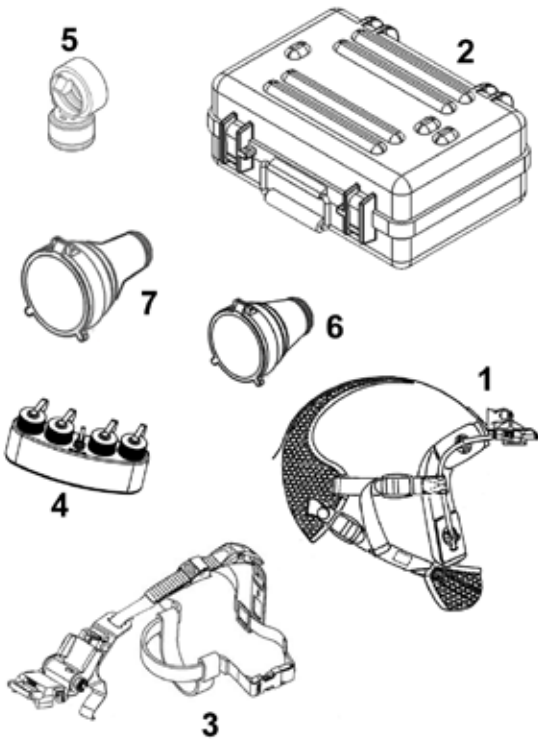


Figure 1-2 Optional Parts Illustration

1.7 System Performance and Data:

The table below lists the technical specifications and data of the NVBS-15 system. The data contained herein is subject to change without notice.

ITEM	LIMITS
Electrical Data	
Power Source	Battery (1.5 to 3.6V DC max.)
Battery Requirements	CR123 Lithium (1ea.) or AA Alkaline (1ea.)
Battery Life @ 21°C (70°F)	20 to 30 hours CR123 or 10 to 22 hours AA
Physical Data	
Overall Dimensions (LxWxH) (max.)	10.75cm x 10.25cm x 8.6cm (4.2" x 4.0" x 3.4")
Weight (with batteries)	595g (21oz)
Optical Data	
Magnification	1.0X (unity)
Objective Lens	27mm, f/1.2
Objective Focus	15cm to infinity
Interpupillary Adjustment	52mm to 80mm
Diopter Range	+4 to -6 diopters
Field of View	40°
Eye Relief	27mm

Table 1-3 System Performance and Data

Environmental Data	
Operating Temperature	-51°C to +45°C
Storage Temperature	-51°C to +85°C
Immersion	20m for 1 hour
Operational Altitude (max.)	15,000ft
Storage Altitude (max.)	50,000ft

Table 1-3 System Performance and Data, (cont.)

This page intentionally left blank.

CHAPTER 2: PREPARATION FOR USE

2.1 Introduction:

This section contains instructions for installing and attaching various components and accessories to the NVBS-15 for operation under normal conditions.

2.2 Battery Precautions:

WARNING

INSPECT BATTERIES FOR BULGING PRIOR TO USE. IF THE BATTERY SHOWS SIGNS OF BULGING, DO NOT USE.

WARNING

DO NOT HEAT, PUNCTURE, DISASSEMBLE, SHORT CIRCUIT, INCINERATE, ATTEMPT TO RECHARGE OR OTHERWISE TAMPER WITH THE BATTERIES. TURN OFF THE NVBS-15 IF THE BATTERY COMPARTMENT BECOMES UNDULY HOT. IF POSSIBLE, WAIT UNTIL THE BATTERIES HAVE COOLED BEFORE REMOVING THEM.

WARNING

DO NOT REPLACE BATTERIES IN A POTENTIALLY EXPLOSIVE ATMOSPHERE. CONTACT SPARKING MAY OCCUR WHILE INSTALLING OR REMOVING BATTERIES AND CAUSE AN EXPLOSION. FAILURE TO FOLLOW THESE INSTRUCTIONS COULD RESULT IN DEATH, INJURY OR IMPOSITION OF LONG-TERM HEALTH HAZARDS.

CAUTION

**OBEY THE BATTERY MANUFACTURER'S
DIRECTIONS FOR BATTERY DISPOSAL.**

2.3 CR123 Battery Installation:

The NVBS-15 electronic circuit is powered by either a lithium CR123 battery or a AA alkaline battery. When using a CR123 battery, install as follows.

1. Remove the battery cap by turning it counter-clockwise.
2. Check to ensure the o-ring is present and in good condition. If not, replace it.
3. Insert the battery into the battery compartment, negative (-) ends first, positive ends toward the battery cap.
4. Replace battery cap, turning it clockwise until a stop occurs.

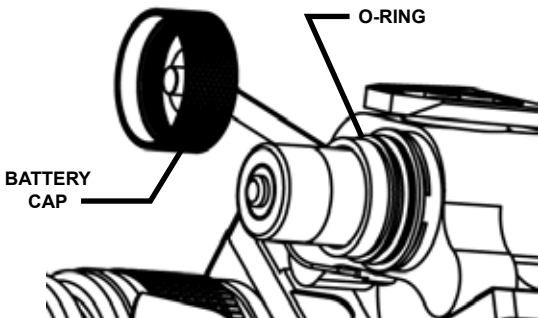


Figure 2-1 CR123 Battery Installation

2.4 AA Battery Installation:

When using a AA battery, the provided battery adapter must be used. Follow the procedure below.

1. Remove the battery cap by turning it counter-clockwise.
2. Check to ensure the o-ring is present and in good condition. If not, replace it.
3. Install the AA battery adapter by screwing it onto the battery sleeve in a clockwise direction until a stop occurs.
4. Insert battery into the battery compartment, negative (-) ends first, positive ends toward the battery cap.
5. Install the battery cap onto the battery adapter, turning it clockwise until a stop occurs.

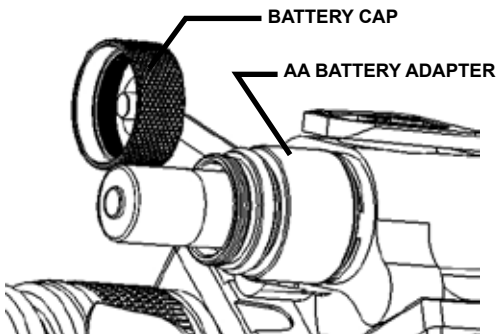


Figure 2-2 AA Battery Installation

2.5 Eyecup Installation:

1. Carefully press the eyecups over the ends of the eyepiece lenses.
2. Rotate the eyecups into proper viewing positions. Adjust for best fit.

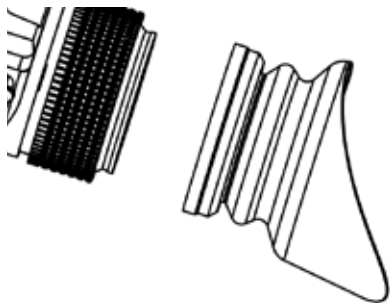


Figure 2-3 Eyecup Installation

2.6 Demist Shield Installation:

1. Carefully remove the eyecups from the binocular assembly.
2. Carefully screw the demist shields onto the eyepieces in a clockwise direction. Be careful not to smudge the eyepiece lenses or demist shields.
3. Replace the eyecups.

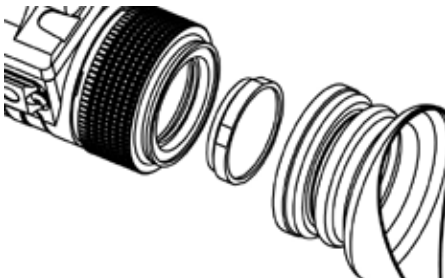


Figure 2-4 Demist Shield Installation

CAUTION

IF THE DEMIST SHIELD IS WIPED WHILE WET OR WITH WET LENS TISSUE, THE COATING WILL BE DAMAGED.

NOTE

IF INCLEMENT OPERATING CONDITIONS ARE EXPECTED TO EXIST (E.G. SIGNIFICANT TEMPERATURE CHANGE AND HIGH HUMIDITY), INSTALL DEMIST SHIELD TO MINIMIZE EYEPiece LENS FOG PRIOR TO EXECUTION OF MISSION.

2.7 Sacrificial Window Installation:

If adverse operating conditions (blowing dust or sand) are expected to exist, attach the sacrificial window to protect the objective lens from scratches or other damage.

1. If the objective lens cap is in place, remove it.
2. Carefully screw the sacrificial window onto the front of the objective lens the lens until it seats.

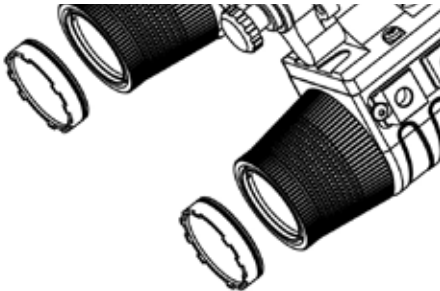


Figure 2-5 Sacrificial Window Installation

2.8 Objective Lens Cap Installation:

1. Place the lens caps over each objective lens.
2. Push the lens caps firmly over the objective lens housings until they is seated squarely.
3. Ensure the lens caps are securely retained by the neck cord.

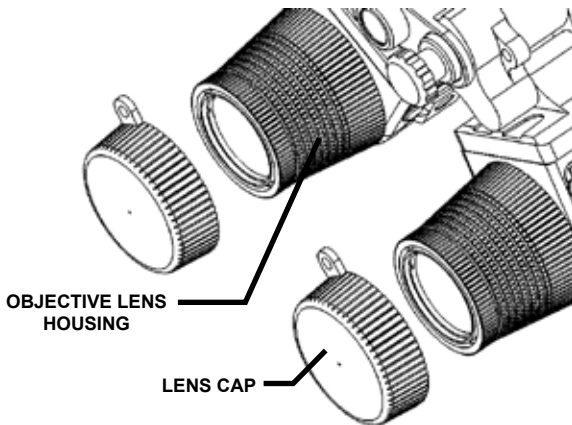


Figure 2-6 Lens Cap Installation

CAUTION

**LENS CAPS SHOULD BE PLACED OVER
OBJECTIVE LENSES FOR ANY DAY TIME
APPLICATIONS TO PROTECT THE IMAGE
TUBE FROM BEING DAMAGED.**

2.9 IR Spot/Flood Lens Installation

1. Press the IR spot/flood lens over the IR source boss.
2. Ensure it is seated squarely against the NVBS-15 housing for a secure fit.

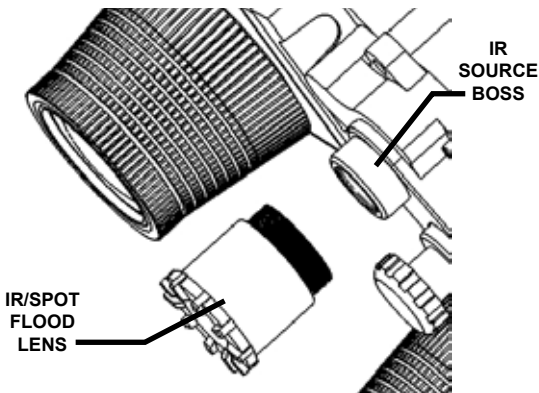


Figure 2-7 IR Spot Flood Lens Installation

2.10 Attaching to a Helmet or Head Mount: (Optional Item)

When using the NVBS-15 to be as a head or helmet mounted unit, there are multiple adapters and mounts available. Nivisys advises the operator to read the instructions supplied with the head/helmet mount and/or adapters for correct installation and operating procedures of each mount.

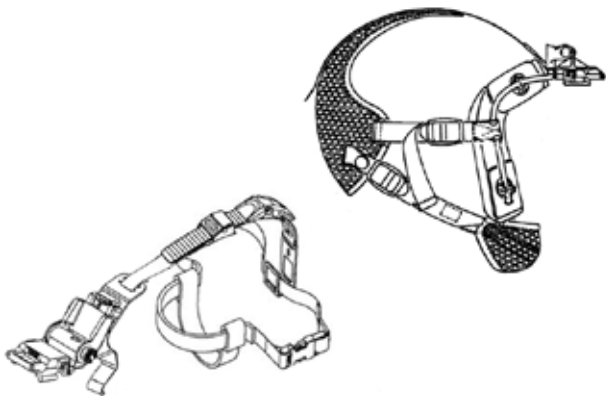


Figure 2-8 Optional Head or Helmet Mounts

CHAPTER 3:

OPERATING INSTRUCTIONS

3.1 Introduction:

This chapter contains instructions for the safe operation of the NVBS-15 under normal circumstances and environments.

3.2 Operating Precautions:

CAUTION

THE NVBS-15 REQUIRES SOME AMBIENT (MOONLIGHT, STARLIGHT, OR ARTIFICIAL LIGHT, ETC.) TO OPERATE. THE LEVEL OF PERFORMANCE DEPENDS ON THE LEVEL OF LIGHT.

NIGHT LIGHT IS REDUCED BY PASSING CLOUD COVER, WHILE OPERATING UNDER TREES, IN BUILDING SHADOWS, ETC.

THE NVBS-15 IS LESS EFFECTIVE VIEWING INTO SHADOWS AND OTHER DARKENED AREAS.

THE NVBS-15 IS LESS EFFECTIVE THROUGH RAIN, FOG, SLEET, SNOW, SMOKE, AND OTHER REFLECTIVE MATERIAL.

3.3 Controls and Indicators:

The NVBS-15 is designed to adjust for different users and corrects for most differences in eyesight. The controls and indicators for the NVBS-15 are shown in Figure 3-1 and are described in Table 3-1.

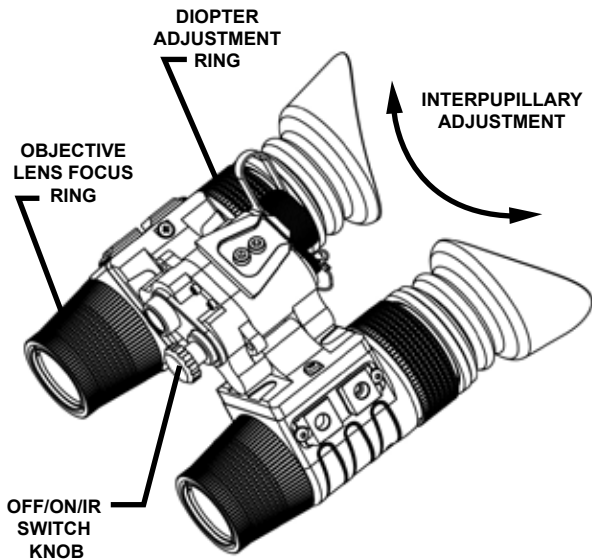


Figure 3-1 Controls and Indicators

Control and Indicators	Functions
OFF/ON/IR Switch Knob	OFF – From ON position, rotate one click. ON – From OFF position, rotate one click. IR – From ON position, pull and rotate (away from OFF position) one click. IR OFF – Pull and rotate to ON position.
IR Indicator (not shown)	Red LED is visible in the left eyepiece indicating that the IR illuminator is on.
Objective Lens Focus Ring	The objective lens is adjusted so that the image being viewed is in focus and readjusted for objects at varied distances.
Diopter Adjustment Ring	Used to focus eyepiece. Rotate ring to obtain sharpest image of the display.
Interpupillary Adjustment	Adjust interpupillary distance for the most comfortable viewing position.

Table 3-1 Controls and Indicators

3.4 Powering ON the NVBS-15:

CAUTION

OPERATE THE BINOCULAR ONLY UNDER DARKENED CONDITIONS OR USE THE OBJECTIVE LENS CAPS TO COVER THE OBJECTIVE LENSES FOR DAYLIGHT CONDITIONS.

1. Ensure that the battery is installed correctly.
2. When facing the OFF/ON/IR switch knob, rotate the knob clockwise one click.

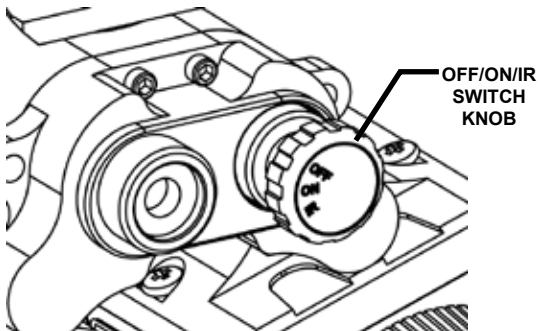


Figure 3-2 Power ON

3.5 Activating the Infrared (IR) Illuminator:

WARNING

THE IR SOURCE IS A LIGHT THAT IS INVISIBLE TO THE UNAIDED EYE FOR USE DURING CONDITIONS OF EXTREME DARKNESS. HOWEVER, THE LIGHT FROM THE IR SOURCE CAN BE DETECTED BY THE ENEMY USING NIGHT VISION DEVICES.

NOTE

THE PURPOSE OF THE IR SOURCE IS FOR VIEWING AT CLOSE DISTANCES UP TO 5 METERS WHEN ADDITIONAL ILLUMINATION IS NEEDED.

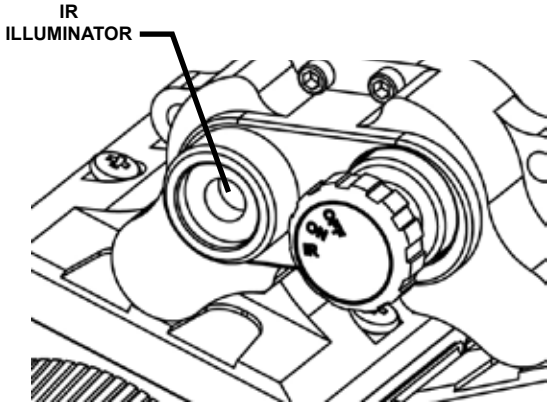


Figure 3-3 IR Illuminator

1. Power ON the NVBS-15.
2. When facing the OFF/ON/IR switch knob, pull and rotate one click.
3. Observe that a red light appears in the left eyepiece just outside the intensified field of view.
4. To turn off the IR illuminator, pull and rotate to ON position.

3.6 Operating the IR Spot/Flood Lens:

1. Ensure the IR spot/flood lens is installed correctly.
2. Rotate the IR spot/flood lens out for wide beam.
3. Rotate the IR spot/flood in for a narrow beam.

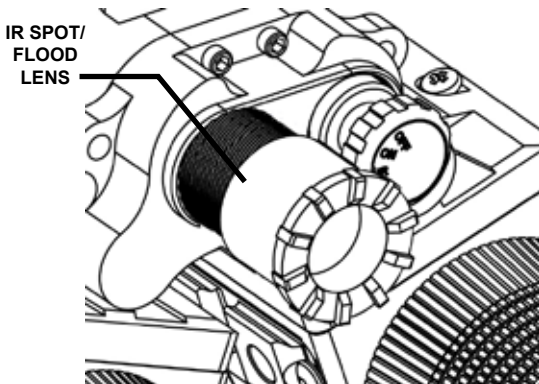


Figure 3-4 IR Spot/Flood Lens in Out Position

3.7 **Low Battery Indicator:**

When the unit is low on battery power, a yellow light is visible in the left eyepiece. The light will be located just outside the intensified field of view. This is to alert the operator of a low battery condition and battery should be changed.

3.8 **Diopter Adjustment:**

To focus the eyepieces, in accordance with the user's specific optical correction, from +4 through -6 diopters, perform the following one eye at a time:

1. Power ON the NVBS-15.
2. Look through the eyepieces at the details of the image tube screen.
3. Rotate the diopter adjustment rings as necessary for sharpest image.

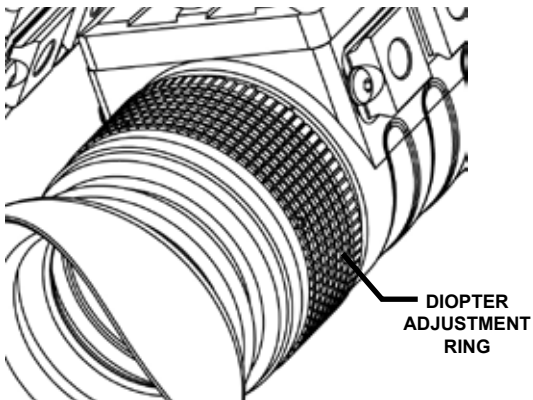


Figure 3-5 Diopter Adjustment Ring

3.9 Objective Focus Ring:

The NVBS-15 focus is adjustable from a minimum of 15cm (6 in) to a maximum of infinity. Typically, the infinity focus setting covers all scenes from 15 feet to infinity. To focus the binocular on an object at any distance:

1. Power ON the NVBS-15.
2. Set the diopter adjustment for the clearest focus.
3. Look through the NVBS-15 so that an object or scene appears on the screen.
4. Rotate each objective focus ring out for a closer focus and rotate in for infinity focus.

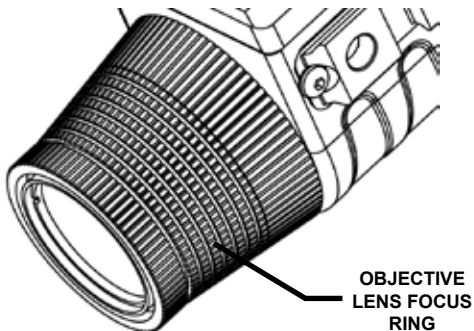


Figure 3-6 Range Focus Ring

3.10 Helmet or Head Mounted Operation (Optional):

To use the NVBS-15 in a head or helmet mount configuration perform the following.

CAUTION

**OPERATE THE BINOCULAR ONLY
UNDER DARKENED CONDITIONS OR USE
THE OBJECTIVE LENS CAP TO COVER
THE OBJECTIVE LENS FOR DAYLIGHT
CONDITIONS.**

1. Don the head or helmet mount gear and follow the manufacturer instruction for proper fitting.
2. Ensure that the battery is installed correctly.
3. Attach the NVBS-15 to the head or helmet mount.
4. Power the NVBS-15 ON.
5. Adjust the goggle in accordance with manufactures

- instructions for proper installation and adjustments.
6. Rotate the diopter adjustment rings for the clearest view of the image intensifier screen.
 7. Focus the objective lens while observing an object until the sharpest image is obtained.

NOTE

**THE SHARPEST IMAGE WILL BE OBSERVED
ONLY WHEN THE OBJECTIVE LENS AND
EYEPIECE LENS ARE PROPERLY FOCUSED.**

This page intentionally left blank.

CHAPTER 4:

MAINTENANCE INSTRUCTIONS

4.1 Introduction:

The NVBS-15 is designed to be used in diverse environments and rugged conditions. It is recommended that regular and simple maintenance is performed for optimal system performance.

CAUTION

**THIS BINOCULAR IS A PRECISION ELECTRO-
OPTICAL INSTRUMENT AND MUST BE
HANDLED CAREFULLY.**

**DO NOT SCRATCH THE EXTERNAL LENS
SURFACES OR TOUCH THEM WITH YOUR
FINGERS.**

**WIPING DEMIST SHIELDS WITH LENS TISSUE
WHILE WET OR WITH WET LENS TISSUE CAN
DAMAGE THE COATING.**

4.2 Preparing for Maintenance:

Before performing any maintenance or cleaning of the system, remove all power sources from the NVBS-15 including battery and/or external power supplies.

4.3 Cleaning the NVBS-15:

When necessary, use a clean moistened cloth to wipe the outside of the unit, EXCEPT FOR THE OPTICAL SURFACES. Be sure to wipe away excess dirt and dust that may restrict the performance or damage moving and mating parts. If needed, the use of a very diluted detergent solution is permissible. Dry with a soft clean cloth, or allow unit to air-dry before storing it.

4.5 Cleaning the Optics:

When cleaning of the lens is required, first brush or blow any loose dirt or grit away from the surface of the lens. EXCEPT FOR THE DEMIST SHIELDS, use the supplied lens tissue lightly moistened with water or lens cleaning fluid to lightly wipe the optical surfaces, using a circular motion. Discard each lens tissue after one use to avoid transferring grit or foreign matter onto the lens surfaces. If the lens remains dirty use a cotton swab lightly moistened with lens cleaning fluid to remove the foreign matter from the lens. Dry with a clean unused lens tissue.

4.6 Checking for Damage and Corrosion:

As a general guideline, conduct an inspection of the NVBS-15, accessories, and the case after every use. Look for heavy wear and cracks in rubber or plastic. Inspect for moisture or corrosion in the battery compartment. Check for scratches, condensation and foreign matter on optical surfaces. Report missing or damaged items, for replacement.

CHAPTER 5: TROUBLESHOOTING

5.1 Troubleshooting Procedures:

Table 5-1 lists common malfunctions that may occur with the equipment. Perform the tests, inspections and corrective actions in the order they appear in the table.

This table cannot list all the malfunctions that may occur, all the tests and inspections needed to find the fault, or all the corrective actions needed to correct the fault. If the equipment malfunction is not listed or actions listed do not correct the fault, notify your maintainer.

Malfunction	Test for Inspection	Corrective Action
Binocular will not power ON.	Battery defective or missing.	Install new battery.
	Battery improperly installed.	Install correctly.
	Loose battery cap.	Tighten battery cap.
	Electrical contacts dirty or corroded.	Clean electrical contacts with a pencil eraser and/or alcohol and cotton swabs.
Intermittent operation.	Loose battery cap.	Tighten battery cap.
	Defective image tube or circuit board.	Return NVBS-15 to the maintainer.

Table 5-1 Troubleshooting

Malfunction	Test for Inspection	Corrective Action
IR Illuminator inoperable.	Objective lenses, IR window or eyepieces dirty.	Clean Lenses.
	IR LED or switch knob defective.	Return NVBS-15 to the maintainer.
Objective cannot be focused.	Ensure diopter focus is clear.	Correct diopter adjustment for each eye.
	Focus mechanism loose or broken.	Return NVBS-15 to the maintainer.
Eyepiece cannot be focused.	Eyepiece loose or focus mechanism broken.	Return NVBS-15 to the maintainer.
Eye-span adjustment cannot be made.	Loose or defective eye-span mechanism.	Return NVBS-15 to the maintainer.
Operator experiences eyestrain, headache, or nausea while using goggles.	Incorrect sight picture or focus.	Correct sight picture focus.
	Collimation off, poor image, adjustment shelf defective or defective monocular housing.	Return NVBS-15 to the maintainer.

Table 5-1 Troubleshooting, (cont.)

APPENDIX A:

SPARE AND REPAIR PARTS LIST

A.1 Introduction:

This section provides information needed to identify, contact and order spare and/or repair parts for the NVBS-15.

A.2 Contact Information:

To order spare or repair parts for the NVBS-15 or any other night vision products contact:

Nivisys Industries, L.L.C.
400 S. Clark Drive, Suite #105
Tempe, Arizona 85281 USA

Phone: 1-480-970-3222

Fax: 1-480-970-3555

Nivisys Industries GSA #: GS-07F-6054P

A.3 Spare Parts List:

The following is a list of parts that may be ordered for spare parts for the NVBS-15.

Part No.	Description	Qty.
A3256345	Shuttered Eyeguard	1
7B257-2F	Shipping/Storage Case	1
1500-501	Operator Manual, NVBS-15	1
1500-502	Quick Reference Guide, NVBS-15	1

Table A-1 Spare and Repair Parts List

NVM-038	AA Battery Adapter	1
107-0010-0	Battery Cap Assembly	1
A3187441	IR Spot/Flood Lens Assembly	1
1500-206	Switch Knob	1
A3144318	Lens Cap	1
A3187392	Soft Carrying Case	1
A3144267	Shoulder Strap	1
580-0001-0	Battery, AA Alkaline	1
580-0002-0	Battery, CR123 Lithium	1
NVM-033	Demist Shield	1
170-12	Cleaning Kit	1
A3144422	Eyecup (open)	1
A3144306	Neck Cord	1
A3144315	Purge Screw	1
A3144316	Purge Screw O-Ring	1

Table A-1 Spare and Repair Parts List, (cont.)

APPENDIX B: WARRANTY INFORMATION

Equipment Warranties And Remedy:

Seller warrants that each newly manufactured item sold hereunder and such portion of a repaired/refurbished item as has been repaired or replaced by Seller under this warranty, shall be free from defects in material or workmanship at the time of shipment and shall perform during the warranty period in accordance with the specifications incorporated herein. Should any failure to conform to these warranties be discovered and brought to Seller's attention during the warranty period and be substantiated by examination at Seller's factory or by authorized field personnel, then at its own cost, Seller shall correct such failure by, at Seller's option, repair or replacement of the non-conforming item or portion thereof, or return the unit purchase price of the non-conforming item or component. Buyer agrees that this remedy shall be its sole and exclusive remedy against Seller and that no other remedy shall be available or pursued by Buyer against Seller. In no event shall the Seller be liable for any cost or expense in excess of those described in this paragraph and expressly excluding any liability or damages for special, incidental or consequential damages.

The warranty period for newly-manufactured items shall extend 12 months from the date of shipment by Seller unless a different warranty period is agreed in writing to by Seller. The warranty period for repaired/refurbished electronic components shall extend for the unexpired warranty period or 90 days, whichever is longer, of the item repaired or replaced.

This warranty shall not extend to any item that upon examination by Seller is found to have been subject to:

- A. Mishandling, misuse, negligence or accident.

- B. Installation, operation or maintenance that either was not in accordance with Seller's specifications and instructions, or otherwise improper.
- C. Tampering, as evidenced, for example, by broken seals, damaged packaging containers, etc.
- D. Repair or alteration by anyone other than Seller without Seller's express advance written approval.

Failure to promptly notify Seller in writing upon discovery of any non-conforming item during the warranty period shall void the warranty as to such item. Buyer shall describe any such non-conformity in detail, expressing its position as to return of any article under the remedy provided herein. No returns shall be accepted without prior approval by Seller, who shall arrange for transportation. The cost of transportation for articles returned to Seller and/or redelivered to Buyer shall be paid by Seller only if Seller is responsible for repair or replacement under this warranty. In the event the item is found to conform to the specifications and requirements of this order, the transportation charges related to the return and re-delivery thereof are for the account of Buyer.

Return Material Authorization Number (RMA#):

Warranty and non-warranty items returned to Nivisys for repair or replacement require a RMA#. Email support@nivisys.com, call 1-480-970-3222 or fax 1-480-970-3555 with a serial number and detailed information to obtain a RMA#.

THIS WARRANTY IS EXCLUSIVE AND IN LIEU OF ANY OTHER WARRANTY, EITHER EXPRESSED OR IMPLIED, INCLUDING WARRANTIES OF MERCHANTABILITY OR FITNESS FOR A PARTICULAR PURPOSE.

Inside cover intentionally left blank.



Nivisys Industries, LLC
400 S. Clark Drive, Suite 105
Tempe, Arizona 85281 USA

nivisys.com